

S-Video (Y/C) & CV



SE-500



ACCESSORIES (OPTIONAL)



TLM-702 2 x 7" TFT
LCD Monitor Bank



TLM-702 Monitor Bank
Holder

SE-500 Quad Screen

Superimposed tally & Next effect indicator



Transition effects display

The SE-500 uniquely display all four input sources via a single quad output

The Datavideo SE-500 is a compact and light weight, four channel analogue input, digital processing video switcher with S-Video (Y/C) and Composite Video inputs. In addition to S-Video and Composite Video, the SE-500 also provides Component (Y:U:V) output. The SE-500 is ideal for applications within Education, Seminars, Small Studios, Clubs, Pubs and many more. The SE-500 uniquely display all four input sources via a single quad Output, including a superimposed tally indicator on each input, meaning you only need two video monitors - one for all four inputs, one for output. The input display will automatically change to preview the next transition. Features include Dissolve, Fade, Wipes, Splits, PiP and Colour Processor. Channels are internally synced via a built in dual Channel TBC 4:2:2 frame synchroniser. The SE-500 can be manually operated or controlled via RS-232 & MIDI interface. Using Datavideo DAC-6 (DV to Composite, Y/C & Component Y:U:V converter) VP-314 (DV Repeater), and 10 or 20 Meter DV Cable, it allows connection of DV equipment such as DV Camcorders or Tape machines up to 160 meters away.

FEATURES

- Digital Processor, high image quality
- Illuminated control buttons
- T-Bar control of digital video effect transitions
- Four selectable S-Video (Y/C) or Composite video inputs
- Optional Y:U:V via breakout cable
- RS-232 Remote control interface
- MIDI Control interface
- Tally output
- Audio mixer with two Microphone channels and one auxiliary input
- Colour processor for video correction
- Quad video preview monitor output with tally indicators on TV screen
- Digital video effects Split, PiP, Wipe, Fade and Quad display effect

FEATURES



Digital Processor, high quality

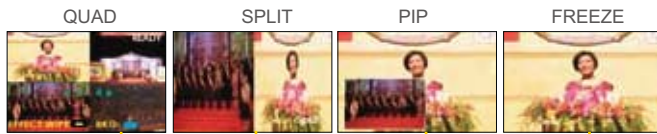


Colour processor for video correction

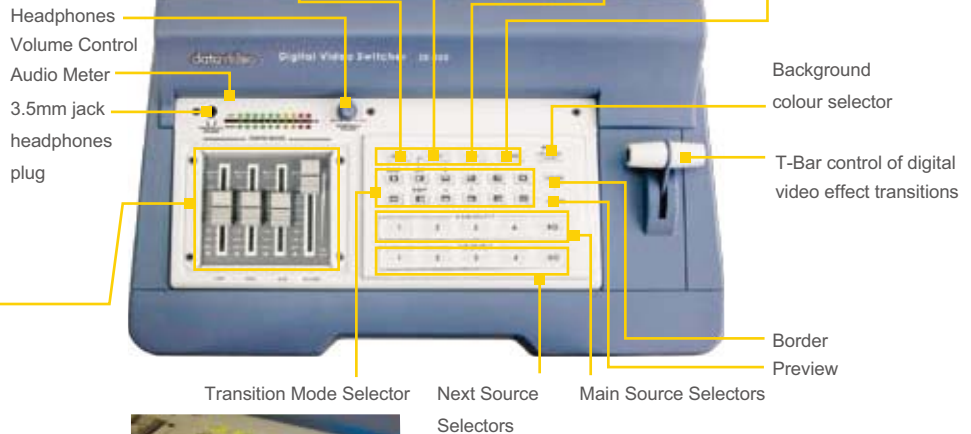


Built in audio mixer with two microphone channels, one auxiliary video source input

Special effect selector



FRONT VIEW



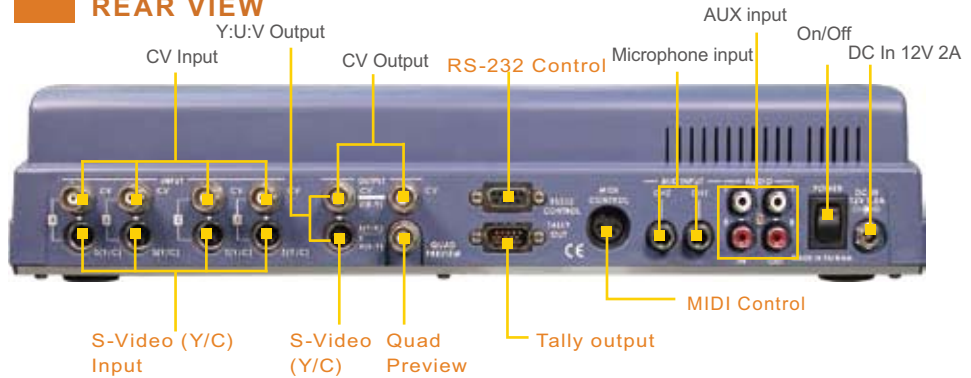
Backlight Control Panel

Ideal when working in dark locations



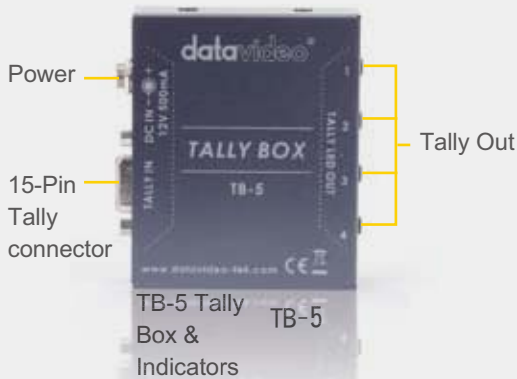
No Genlock is required thanks to SE-500's built in dual channel TBC and 4:2:2 frame synchroniser ensuring flicker free switching or mixing, even with different video formats.

REAR VIEW

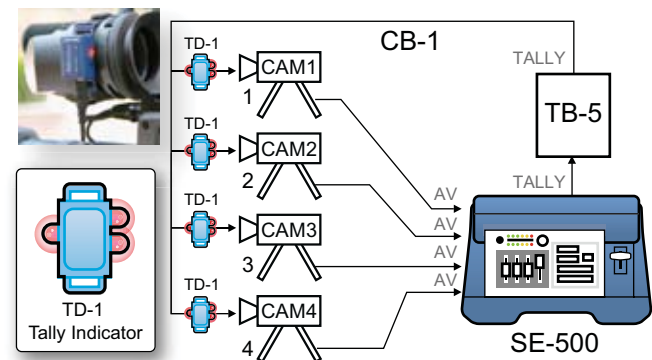


ACCESSORIES (OPTIONAL)

TB-5 TALLY BOX & INDICATORS (OPTIONAL)



TB-5 Tally Box & Indicators



ACCESSORIES (OPTIONAL)

Ethernet Remote Controller RMC-150

RMC-150 Ethernet Remote Control box is a PC/Network control box. Allows full control of SE-500 using Datavideo's free software (Available on-line via our web site)

RMC-150



REAR VIEW



Connection Diagram



Remote control software

Connect The SE-500 direct to a RS-232 port on a Computer and control the switcher using special computer software

- System Requirements**
- CPU: Pentium 4, 2.4GHz
 - RAM: 512MB RAM
 - Screen Resolution: 1024x768
 - OS: Windows XP



Free download from <http://www.datavideo.info/products/rmc150.htm>

Network Video Server NVS-10

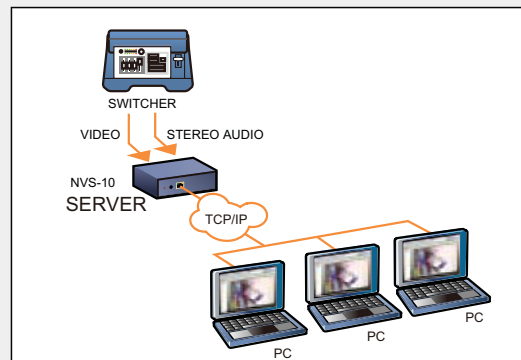


FRONT VIEW



Easy plug and play solution for streaming live audio & video in MPEG-4 format through a Ethernet network. Fully compatible with Windows browser IE 6.0 or above on PC.

REAR VIEW



ACCESSORIES (OPTIONAL)



DN-400
Removable Hard Drive Digital Video Recorder



DN-500
Removable Hard Drive Digital Video Recorder



MP-6000
DVD+R/ RW Recorder/player



CP-100 Pro
Mpeg1/Mpeg2 Player



BAC-03
Balanced/ Unbalanced Audio Converter



ITC-100
Intercom System



TLM-702
2 x 7" TFT LCD Monitor Bank



TLM-702JF
TLM-702 Monitor Bank Holder



DVK-100
Dual Colour Chromakey System



CKL-200 / CKL-100
Affordable Chromakey System



TB-5
Tally Box with Tally Indicator for SE-1000



CB-1
50m 3.5 mm tally extension cable



RMC-150
Ethernet Remote Controller



NVS-10
Network Video Server